

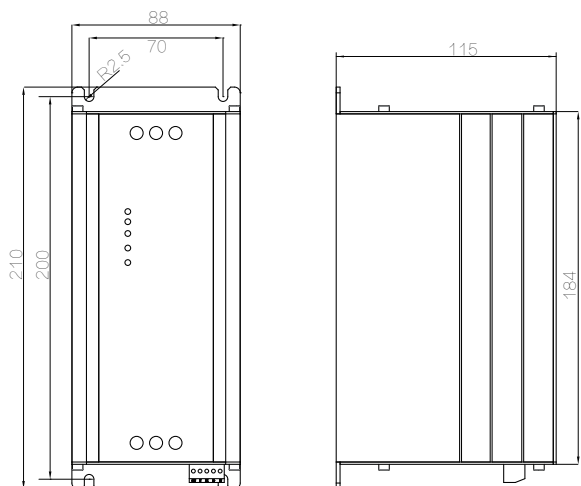


# SST

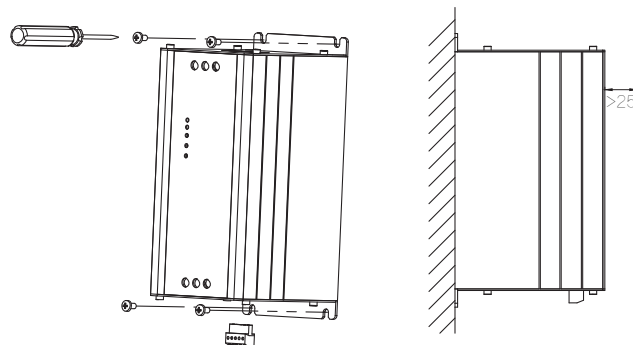
## Series Soft Starter Manual

[www.shuen.com.cn](http://www.shuen.com.cn)

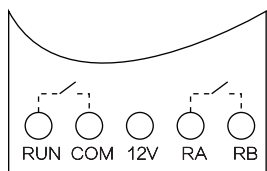
## Product size



## Installation sketch



## Terminal indication



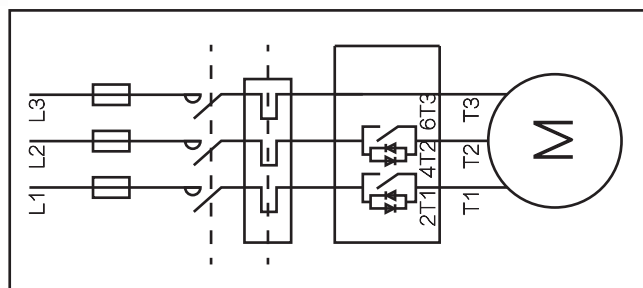
## Power diagram

Model	230V/KW	400V/KW	Rated current
AJR3-N5R5	3	5.5	12
AJR3-N7R5	4	7.5	16
AJR3-N11	5.5	11	25
AJR3-N15	7.5	15	30
AJR3-N18	7.5	18.5	37
AJR3-N22	11	22	45
AJR3-N30	15	30	60
AJR3-N37	18.5	37	72
AJR3-N45	22	45	85

## Main circuit terminal instruction

Terminals	Terminal name	Function instruction
L1,L2,L3	Main circuit power input	To connect 3 phase power
T1,T2,T3	Soft starter output connection	To connect 3 phase motor

## Wiring diagram



Main circuit

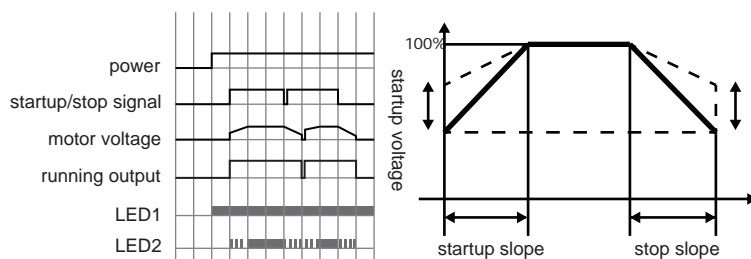
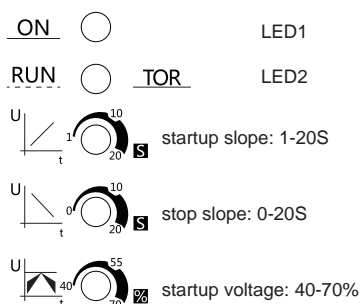
## Control circuit terminal instruction

Terminals	Terminal name	Function instruction
RUN	Startup Input	run & com close, motor starts running run & com open, motor stops
COM	Common port	run & 12V's common port
12V	Power port	Internal 12V power output terminal, max current is 300A, overload forbidden
RA, RB	Working status indication	Relay output, normal open contact, running close, stop or break off in error, relay capacity: 250V/AC 0.3A

## Indicator lamp

ON: power on  
 RUN/TOR: flicker when startup or stop,  
 bypass running Error: LED1, LED3 flickers at the same time

## Voltage slope





# SST

## Series Soft Starter Manual

### Internal Bypass Contactor

Free of bypass contactor,  
save time and labor and space

### Top brand component

Germany SEMIKRON, international SCR module  
talian STMicroelectronics main control DSP chip

### Alloy high intensity body

Metal processing technology and oxidation technics  
Aluminum high strength body, anti-corrosion

### Control unit & Internal power supply design

No need power supply for control unit, no three  
phase

### Free of setting, fast arranging

No need to set for motor or internal intelligent process

### "Pocket Size" Body

Integrated with bypass contactor,  
reduced 40% of the volume

